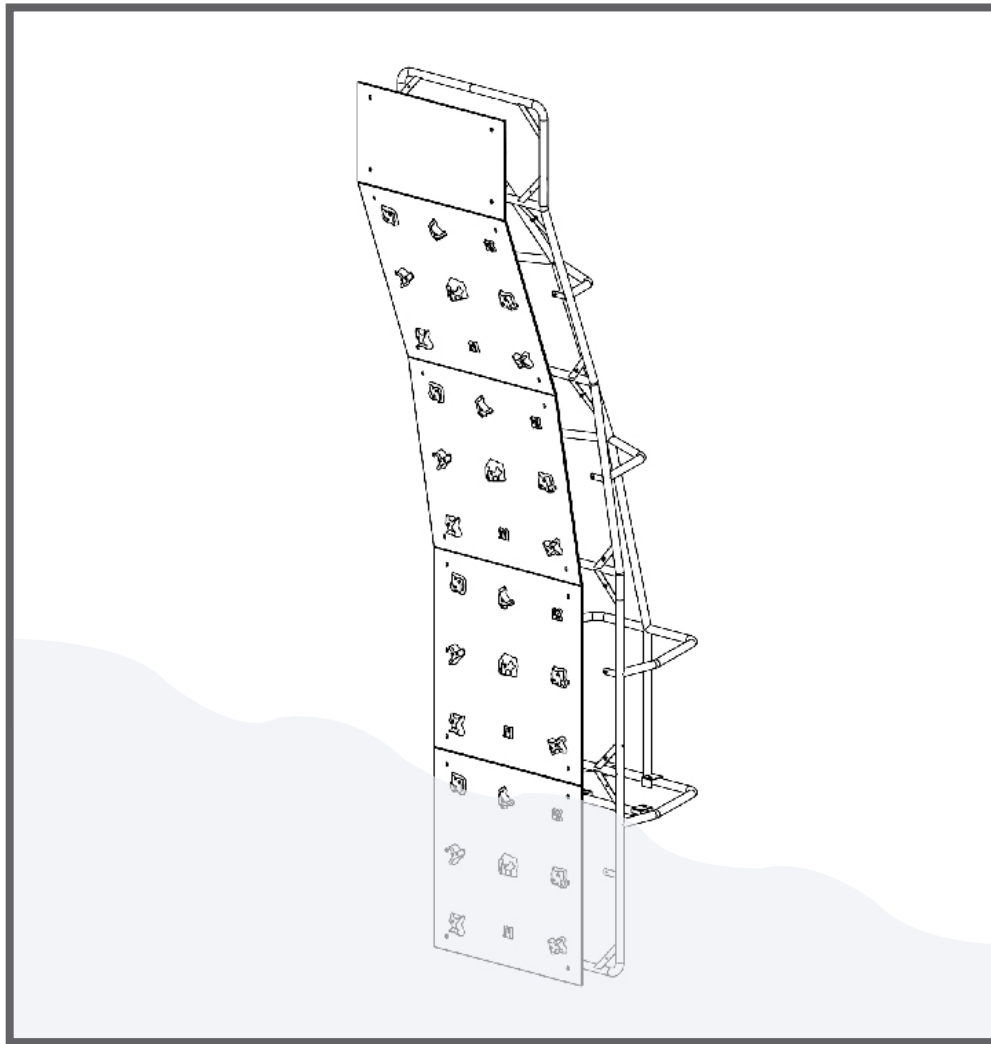


kersplash™

POOL CLIMBING WALL



EVERLAST CLIMBING™

A PLAYCORE® Company

TOLL FREE: 1-800-476-7366 • VOICE 651-665-9131 • FAX 651-665-9130 • EMAIL: INFO@POOLCLIMBINGWALLS.COM
EVERLAST CLIMBING • 1335 MENDOTA HEIGHTS ROAD • MENDOTA HEIGHTS, MN 55120 | © 2012 EVERACTIVE BRANDS

EverActive™ Brands

A Division of PLAYCORE

Congratulations! You have purchased a Kersplash™ Pool Climbing Wall from Everlast Climbing. Providing the unit is installed correctly and properly maintained, it will furnish you with many years of trouble free use. It is important to read this entire manual prior to beginning assembly or operation.

Shipping Information:

Each wall module will arrive partially assembled in a crate. Before accepting the unit from the carrier, inspect for visible damage and match the contents with those listed below. Everlast Climbing is not responsible for lost or damaged freight.

The crate will contain all structural components, hardware, and panels. The following is a list of the components included with your shipment from Everlast Climbing. Use Components and Hardware Figure A, page 3, as a reference to identify each item listed.

4 Panel: Part Number 70537 Crystal Clear™ Panel, 42639 Color

1	304L Stainless Steel Climbing Frame	4	4' x 4' Climbing Panels
1	2' x 4' Safety Panel	1	Hardware Package
6	Anchoring Brackets	1	Kersplash Climbing Wall Rules Sign
36	Groperz™ Hand Holds		

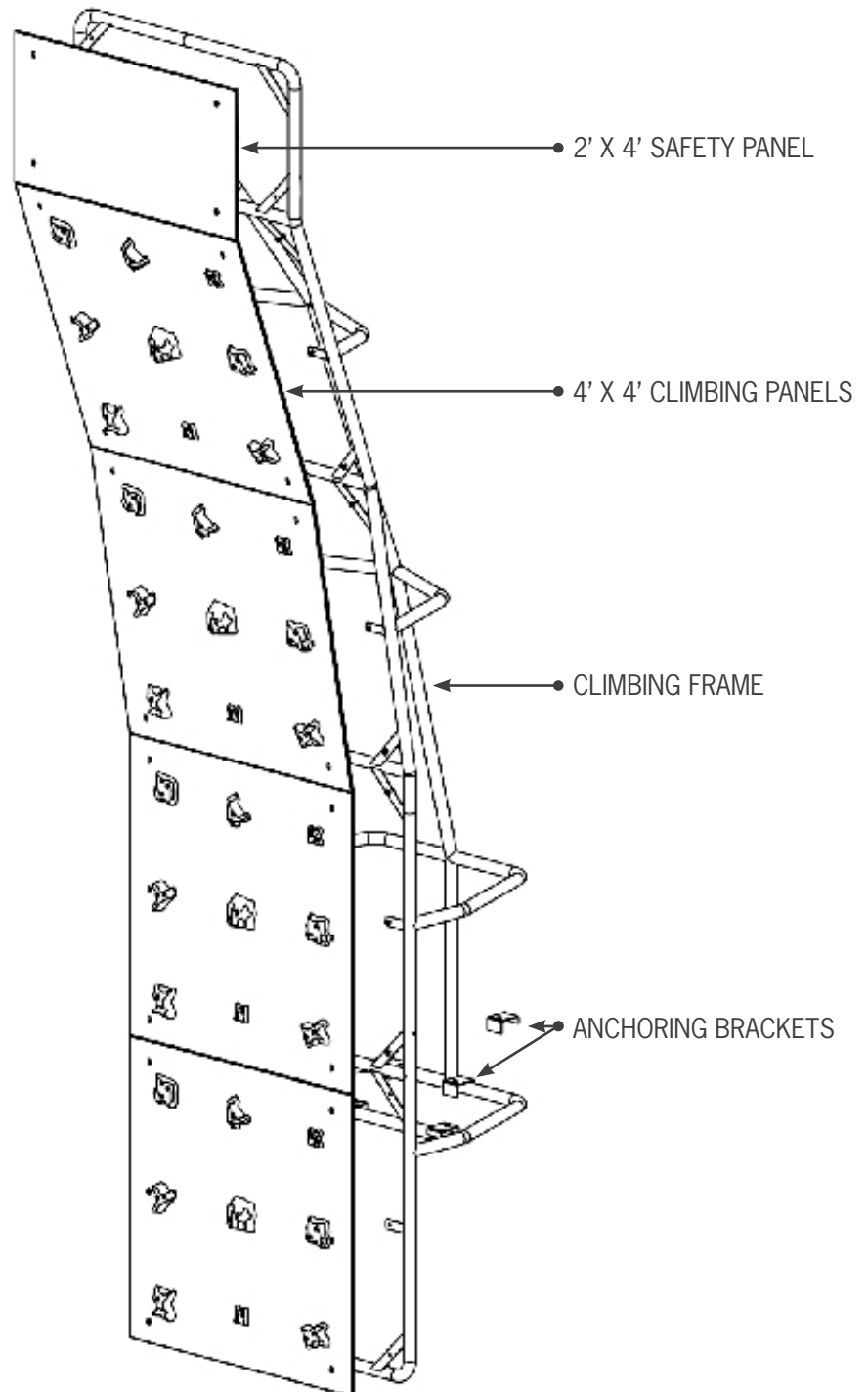
3 Panel: Part Number 70536 Crystal Clear™ Panel, 42638 Color

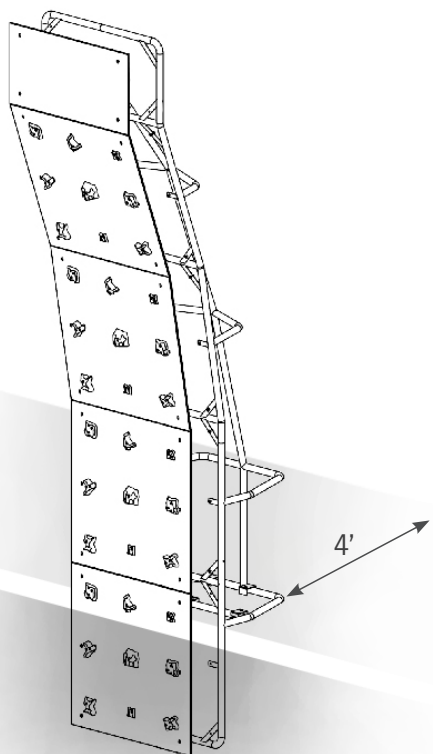
1	304L Stainless Steel Climbing Frame	3	4' x 4' Climbing Panels
1	2' x 4' Safety Panel	1	Hardware Package
6	Anchoring Brackets	1	Kersplash Climbing Wall Rules Sign
27	Groperz™ Hand Holds		

2 Panel: Part Number 42627 Crystal Clear™ Panel, 42648 Color

1	304L Stainless Steel Climbing Frame	2	4' x 4' Climbing Panels
1	2' x 4' Safety Panel	1	Hardware Package
6	Anchoring Brackets	1	Kersplash Climbing Wall Rules Sign
18	Groperz™ Hand Holds		

Components and Hardware Figure A





CLEAR DECK SPACE FIGURE B

Installation Overview

Please make sure to read all instructions before attempting to assemble or install the wall. Due to the wide variety of pool deck configurations, it is recommended that you contact Everlast Climbing for a drawing packet that will layout the mounting holes, spacers, and setback for your deck application.

Tools & Equipment Included:

- Hammer Drill
- 5/8" Hammer Drill Bit
- 7/32" Allen Wrench
- 9/16" socket and ratchet

Additional Tools & Equipment Required:

- Compressed air
- Steel Brush
- Vise Grip
- Hammer

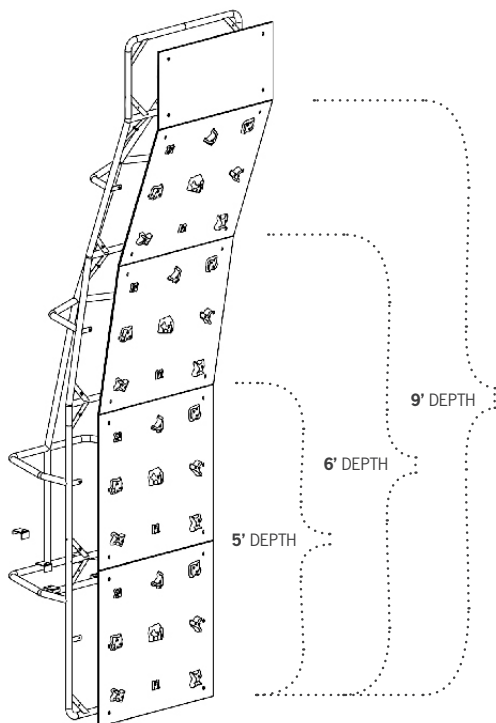
CLEAR DECK SPACE:

To be compliant with most state and local guidelines there must be at least 4' of clear deck space from the back of the frame on the deck to any obstruction. Please verify your local and state codes prior to installation. SEE FIGURE B

POOL DEPTH:

Pool depth requirements vary by state. Check your state and local codes to ensure your configuration complies. Everlast Climbing recommends the following depths for its different panel configurations: SEE FIGURE C

- 2 panel – 5'
- 3 panel – 6'
- 4 panel – 9'



POOL DEPTHS FIGURE C

CLIMBING WALL ASSEMBLY

Assembly will take place in four steps.

- 1) Attach holds to panels
- 2) Attach panels to frame
- 3) Tip up first frame and install two temporary anchors. Tip up second frame, bolt frames together and install temporary anchors. Repeat until all frames are up.
- 4) Anchor frames to deck with the remaining 4 5/8" Hilti Kwik Bolts

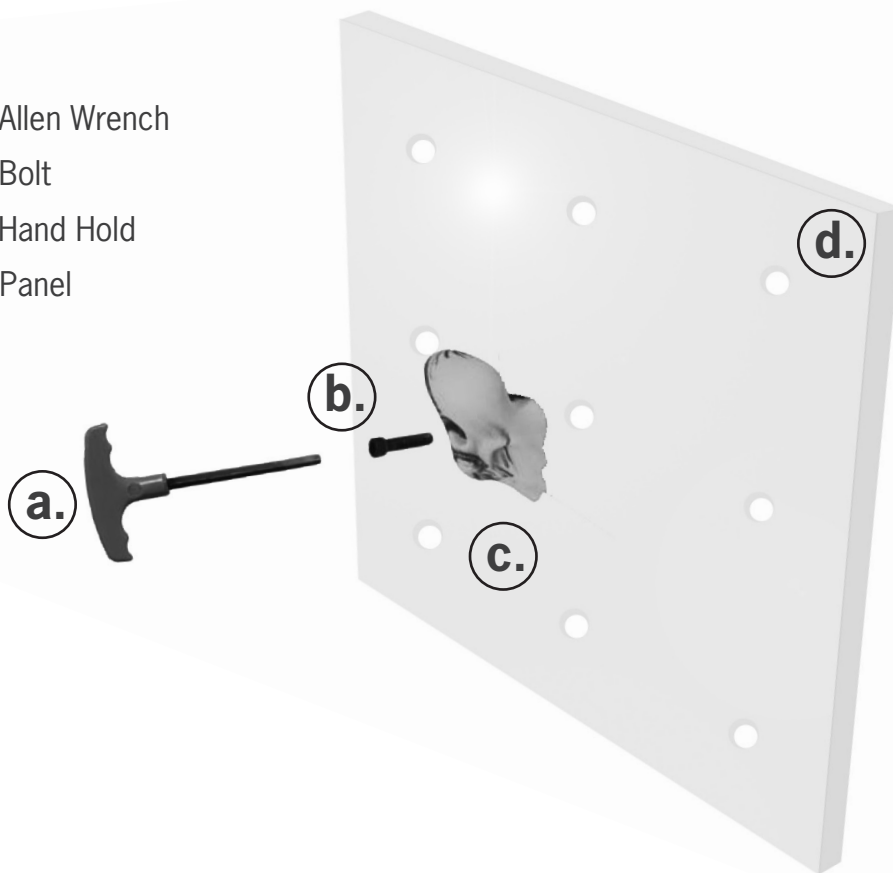
Installation Instructions

Prior to assembly, be sure to gather all of your tools and prepare all materials. If a Crystal Clear™ wall is chosen, the protective wrapping will need to be removed from the panels prior to assembly, and care taken not to scratch the panels during the installation process.

ATTACHING THE HAND HOLDS:

1. Place Groperz™ Hand Hold over desired hole (T-nut) in wall, lining up the hand hold with the hole in the panel.
2. Insert bolt through Groperz™ Hand Hold and into the panel.
3. Using an Allen Wrench (included), gently start threading the bolt into the T-nut. Take care not to cross-thread the T-nuts.
4. If you feel resistance while starting to thread the bolt, immediately stop, remove the bolt and readjust the hand hold and bolt angle.
5. When the bolt threads are started properly, continue threading the bolt until it becomes tight, then give another 3/4 of a turn.



- a. Allen Wrench
- b. Bolt
- c. Hand Hold
- d. Panel

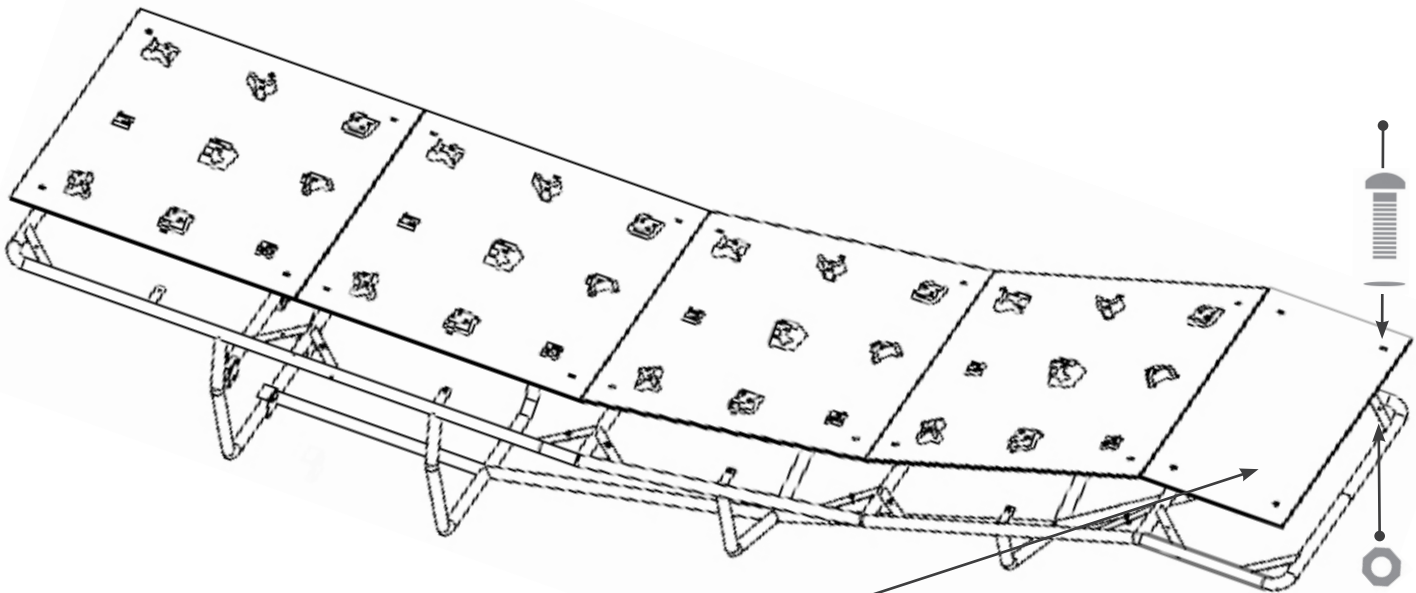
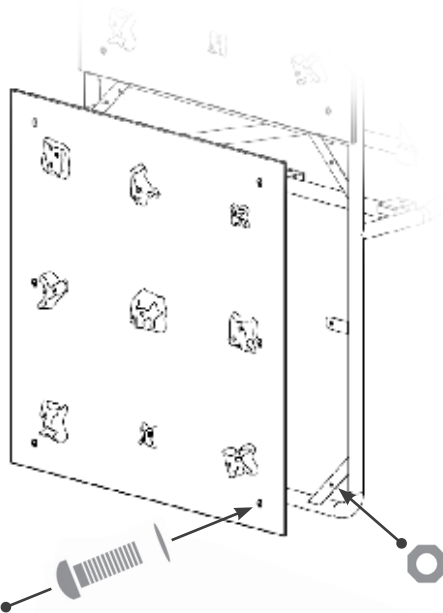


ATTACHING THE CLIMBING PANELS TO THE FRAME:



Lay the stainless steel frame on its back with the spine towards the ground. Place the panels on top of the frame and drop in button head screws to hold the panels in place but do not tighten. For ease of installation and to accommodate manufacturing and temperature variances, each climbing panel has 6 mounting slots that allow for adjustment when attaching the panels to the frame. For the bottom panel, center the fasteners in each of these slots.

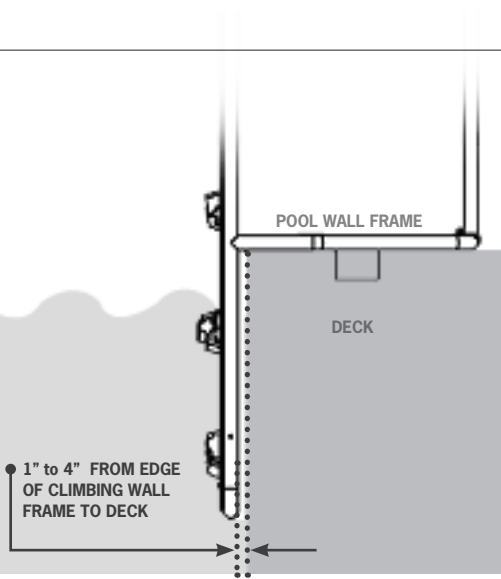
Attach the climbing panel to the climbing frame as shown below using the following hardware:

- 6 - 3/8" x 1 1/4" Button Head Socket Screw 
- 6 - 3/8" Flat Washers |
- 6 - 3/8" Nylock Nuts 



Affix the 2' x 4' safety panel to the top of the climbing frame using:

- 4 - 3/8" x 1 1/4" Button Head Socket Screws 
- 4 - 3/8" Flat Washers |
- 4 - 3/8" Nylock Nuts 



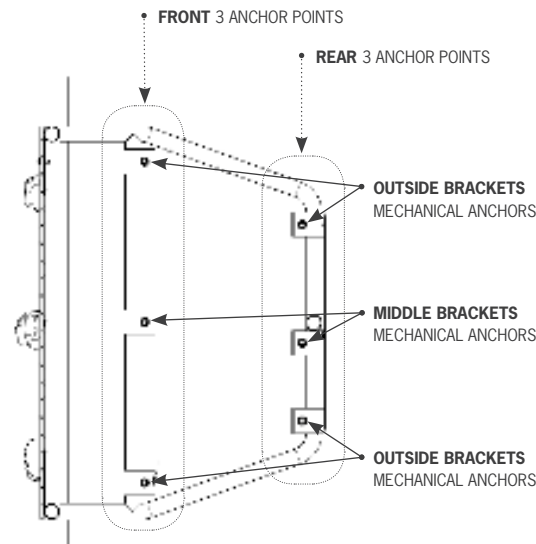
FRAME TO DECK CLEARANCE FIGURE D

POSITIONING, TEMPORARY ANCHORING, AND CONNECTING THE FRAMES:

- The main frame of the climbing wall should be set so that there is no less than 1" or more than 4" (check local and state codes) of clearance between the climbing wall and the existing pool wall. FIGURE D
- Position the first frame upright on the pool deck. Set the frame with a mechanical anchor in the front middle bracket and back middle bracket. FIGURE E
- Position the second frame next to the first. There are two places where the frames must be fastened together, one about 2' down from the top and the next about 1'6" up from the pool deck. Fasten the two frames together using fasteners as shown below in FIGURE F:

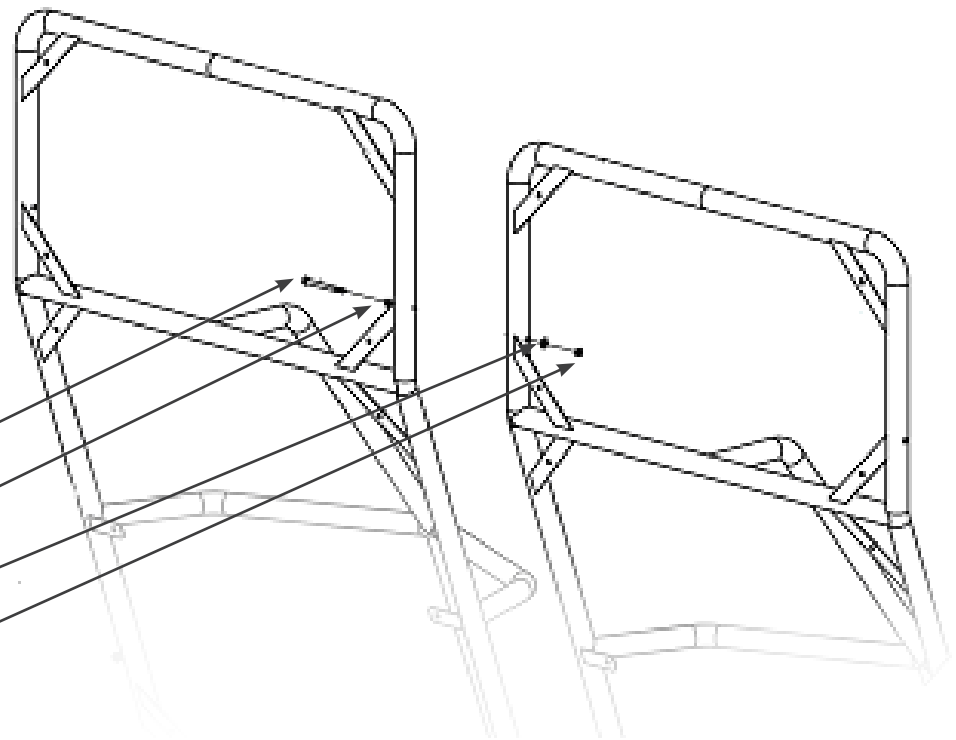
- 2 - 3/8" x 4 1/2" Hex Screws
- 4 - 3/8" Flat washers
- 2 - 3/8" Nylock Nuts

- Then set the second frame with a mechanical anchor in the front middle bracket and back middle bracket. Continue in this manner until all frames are set. FIGURE E



POSITION UPRIGHT AND SET BACK MIDDLE BRACKET FIGURE E

- 3/8" Hex Screw
- 3/8" Flat washer
- 3/8" Flat washer
- 3/8" Nylock Nut

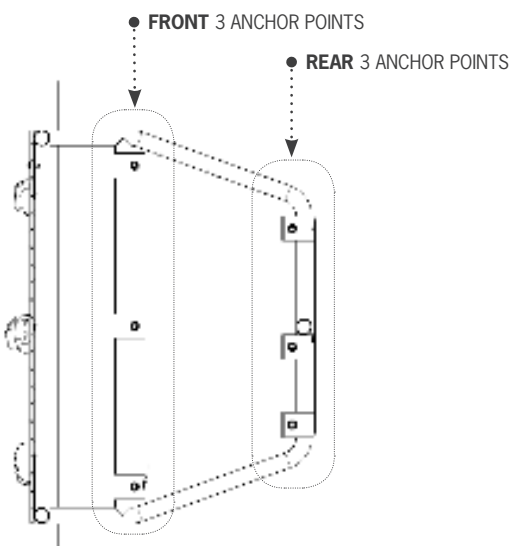


FASTEN FRAMES TOGETHER FIGURE F

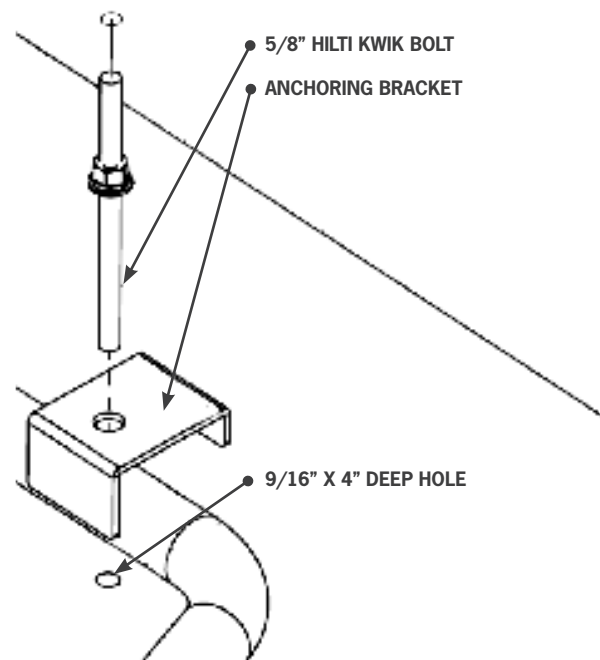
ANCHORING THE CLIMBING WALL:

Anchoring should be done by an installer experienced with the use of 5/8" Hilti Kwik Bolt3 (30455) anchoring systems. Hilti instructions for epoxy are available from www.us.hilti.com or by calling 1.800.879-8000.

- 1) Prior to drilling and anchor install read and follow Hilti recommended safety precautions, and wear approved eye and ear protection.
- 2) There is a requirement of 6 anchoring brackets as in FIGURE G. Inspect the concrete to ensure that it is suitable for anchoring and if possible keep the brackets at least 6" away from any cold joint or edge.
- 3) Mark or partially drill the holes following safety guidelines from Hilti, move the anchor brackets, and finish drilling the holes as shown in step 4.
- 4) Using a hammer drill and a 5/8" carbide hammer drill bit, drill the marked holes to a minimum depth of 4".
- 5) It is very important to remove the debris and dust from the borehole. Brush the borehole with a steel brush that is slightly larger in diameter than the borehole; twist out two times. Using compressed air, clean the borehole again until the return stream is free of noticeable dust.
- 6) Reposition the anchoring bracket over the borehole and insert the threaded anchor. Tighten to the Hilti recommended torque.



6 REQUIRED ANCHORING BRACKET POSITIONS FIGURE G



PROPER ANCHORING ORDER FIGURE H

BONDING THE CLIMBING WALL:

Check state and local code for bonding requirements.

ADDITIONAL INSTRUCTIONS:

WARNING! Read all operating instructions before using the Kersplash Pool Climbing Wall. Make sure that all individuals using the wall have read and understand the Kersplash™ Climbing Wall Rules. Supervision is required.

WARNING! Rock climbing indoors and outdoors is an inherently dangerous sport. The activity of climbing can lead to significant personal injury, disfigurement or death. Even though one may be climbing indoors on an artificial wall risks still exist. Artificial holds can spin, and on rare occasions break. Individual climbers and organizations have the sole responsibility for learning and using proper climbing technique and safety practices. The purchasers and users of our products accept full and complete responsibility for any and all damages or injury which may result from the use and / or misuse of any product purchased from any EverActive™ Brands' catalog, any Everlast Climbing™ Marketing, and / or EVERLAST CLIMBING™.

WARNING! This product may contain chemicals known to the State of California to cause cancer and birth defects or other reproductive harm.

OPERATOR'S GUIDE

Safety Precautions:

- Everlast Climbing recommends that a lifeguard be on duty at all times when the Kersplash™ Pool Climbing Wall is in use. This may be required by certain states; check your state and local codes to verify.
- NO DIVING is allowed off of the Kersplash™ Pool Climbing Wall.
- Kersplash™ users must be able to swim; we recommend for ages 5 and above.

KERSPLASH CLIMBING WALL RULES

Before Climb:

- Supervision is required
- Remove All Jewelry
- Climb must begin from the water

During Climb:

- Climb Safely! Only one climber at a time.
- Jump off the wall feet first – NO DIVING
- Have Fun

After Climb:

- Swim away from the Kersplash drop zone
- Report any damaged equipment to the wall supervisor

Supervision Guidelines:

- Climbers should be supervised at all times
- The supervisor is responsible for the safe operation of the climbing wall
- Regularly inspect climbing wall, its components, and protective surfacing to ensure they are in good condition
- Prevent unauthorized climbing with an access prevention plan.

Care and Maintenance

The proper care and maintenance of your climbing wall is essential and is your responsibility. Inspect your climbing wall and its components on a regular basis. These inspections should include, but are not limited to, the following:

Surface

- Panels should be installed according to installation instructions.
- Check panels to make sure they are in good condition and show no signs of stress.
- Check each panel's adherence to the frame. Tighten only when they are loose. Do not over tighten!
- Check for sharp points and edges.
- Remove or repair any damaged wall areas.
- Clean panels with mild soaps or Windex.

Hand Holds

- Hand Holds should be mounted according to the installation instructions.
- Observe holds for signs of stress or breakage.
- Remove and replace any damaged holds.
- Check hand holds for looseness and tighten. Do not over tighten!
- Wash holds periodically to remove oil, stains, and other residue. Use mild soap and water with a soft bristle brush. Do not use a wire or brass bristle brush. You can wash holds in a dishwasher. Towel dry holds and then air dry for 24 hours to ensure complete drying.

Frame

- Remove any discoloration to the stainless steel frame with a 3M scratch pad. Wipe clean with a sponge dampened with Spectra Clean. Repeat these steps several times to passivate the stainless steel. Spectra Clean kits are available from Spectrum Aquatics (Part Number 202050-00), call 800.791.8056. Do not spray with high-pressure water; only clean with non-chlorinated water.