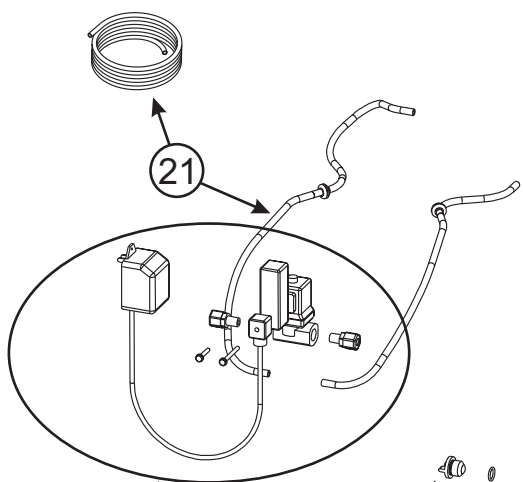
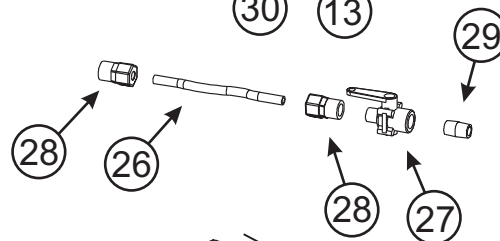
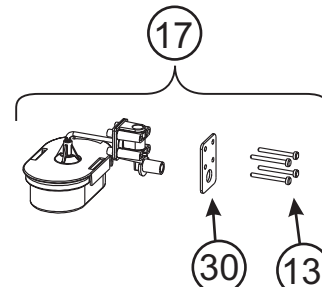
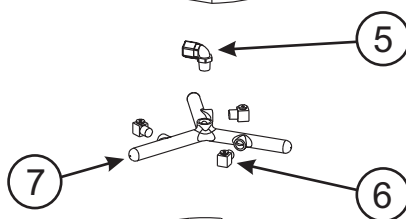
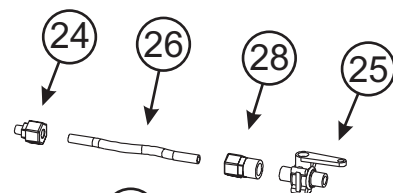
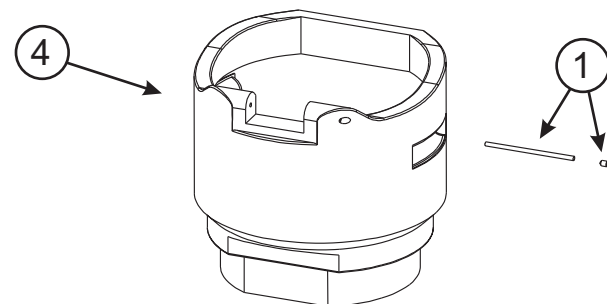
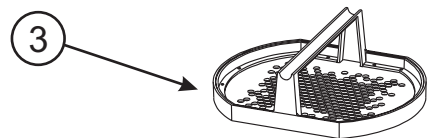
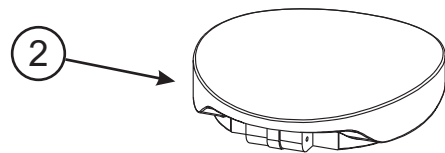
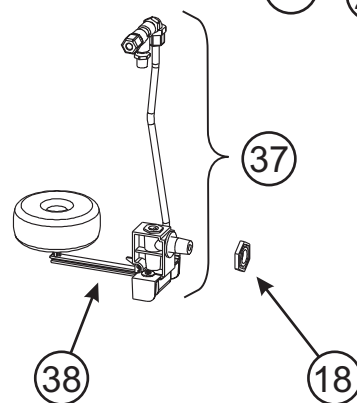
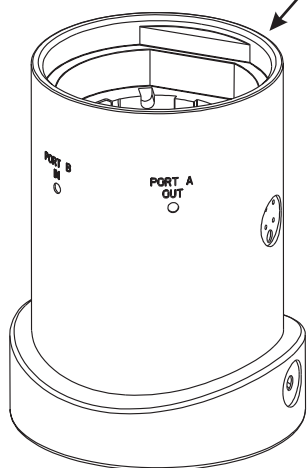
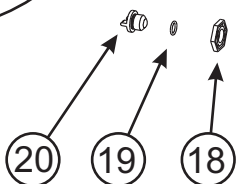


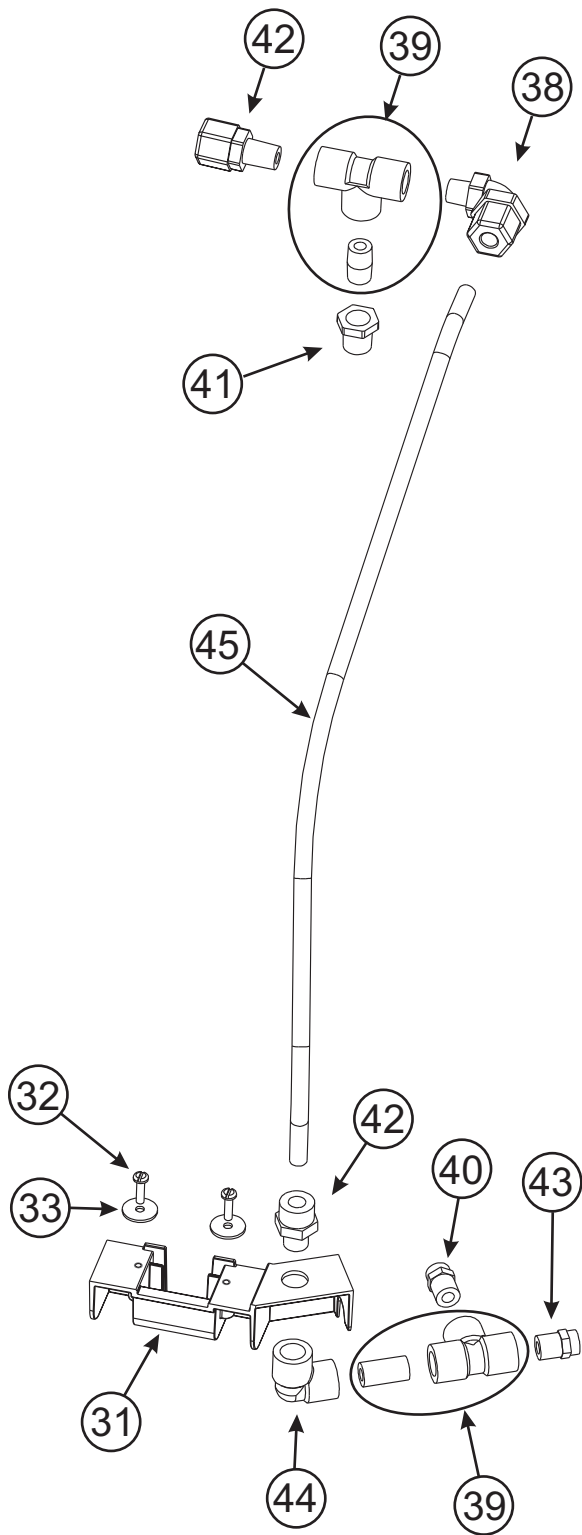
# Pulsar 3 Feeder Detailed View



solenoid assembly  
(included with  
installation  
kit only)

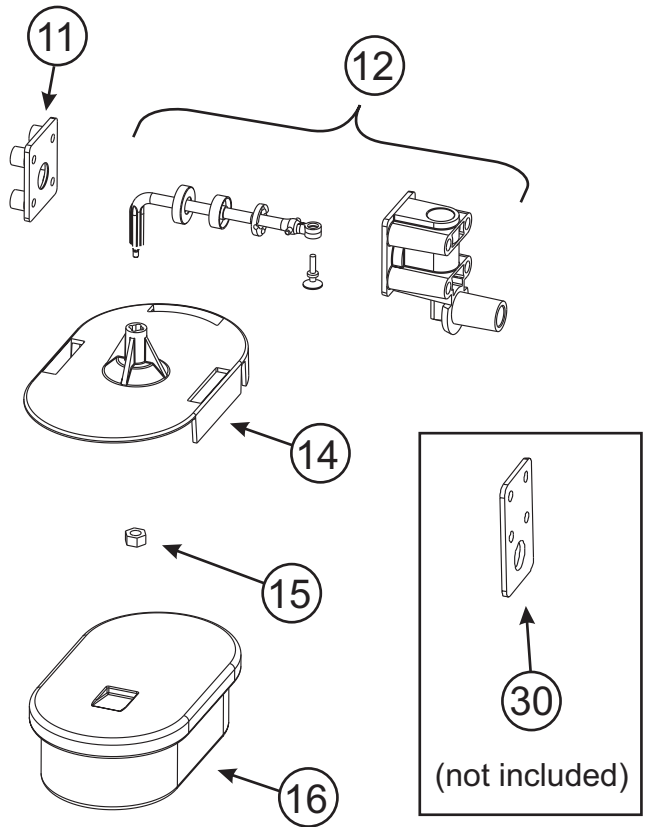


37

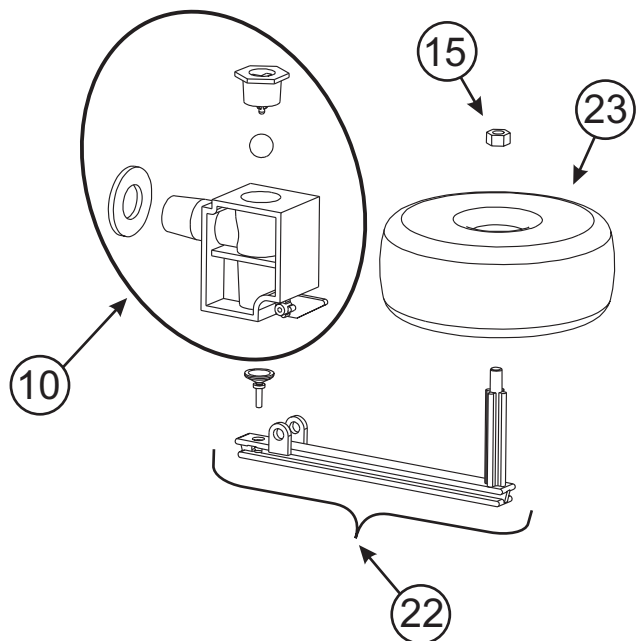


Also Includes (Not Shown)  
(1) 71558 - 20' tubing  
(2) 71590 - P6MC8 Parker Fittings  
(2) - Grommets

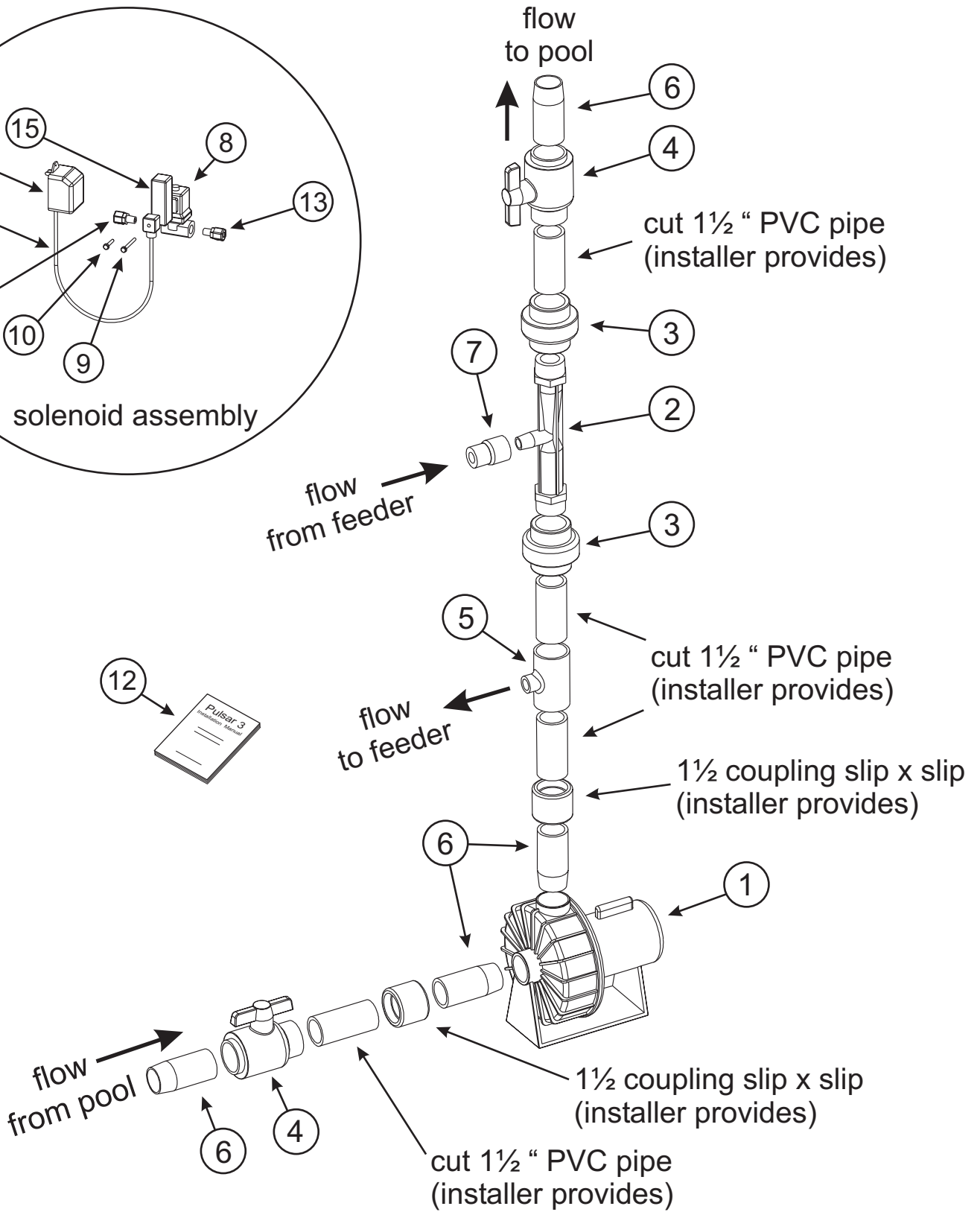
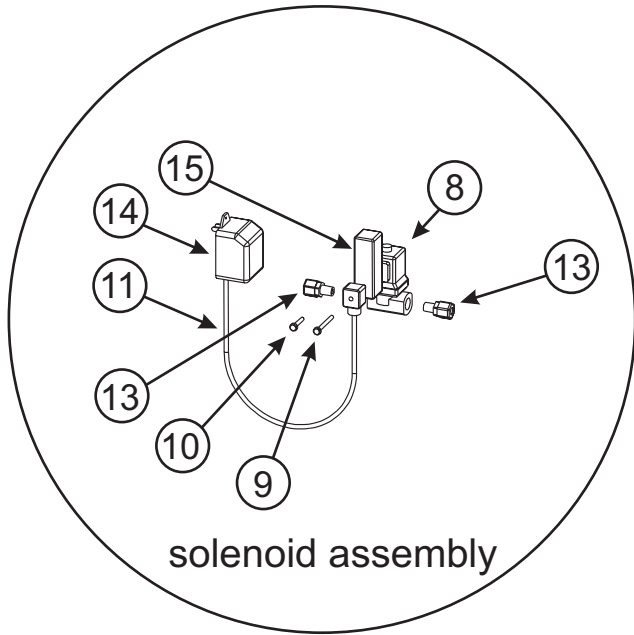
17



38



# Pulsar 3 Installation Kit



## Pulsar 3

Diagram Number	Part Number	Qty	Description
0	71528	1	Pulsar 3 System, PS 5000-Includes Installation Kit
1	71608	1	Hinge Rod W/Set Screw for P3 Hopper
2	71607	1	Lid for P3
3	71609	1	Briquette Screen Assembly for P3
4	71606	1	Hopper without Lid for P3
5	71619	2	Elbow (P6ME6) 3/8" For Feeders 30991 & P3
6	71617	3	Spray Nozzle for P3
7	71616	1	Manifold for P3
8	71620	1	Deflection Plate Assembly
9	71610	1	Base without assembled parts for P3
10	71615	1	Discharge Valve Body with Plug, Ball & Gasket
11	71536	1	Emergency Shut Off Mounting Plate
12	71535	1	Emergency Shut Off Valve with Arm Only
13	71537	4	Emergency Shut Off Mounting PVC Screws(1/4x20x2 1/4)
14	71539	1	Emergency Shut Off Float Plate
15	71538	1	Emergency Shut Off Float Plate PVC Nut/Discharge Arm Nut
16	71540	1	Emergency Shut Off Overflow Float
17	71496	0	Emergency Shut Off Valve Assembly - Part 71910 Not Included
18	71583	2	Discharge Valve Locknut
19	71613	1	(4026) O-Ring #115 - Used in Plug
20	71612	1	Plug for Feeder Body for P3
21	71558	1	3/8" O.D. Polyethylene Tubing - 20'
22	71584	1	Discharge Valve Arm with Suction Cup
23	71585	1	Discharge Valve Float
24	71614	1	Tube Connector (P8MC4) for P3
25	71621	1	1/2" Ball Valve MM (Inlet)
26	71626	1	20' 1/2" O.D. PE Tubing(P4 only need 3 inch piece)
27	71627	1	1/2" Ball Valve MF (Outlet)
28	71588	3	(5008) 1/2" X 1/2" Female Connector (P8FC8)
29	71611	1	1/2" X close PVC Nipple
30	71910	1	Rubber Gasket for Emergency Shut Off Valve
31	72863	1	Discharge Valve Enhancement Adaptor
32	71925	2	8-32X5/8" PVC Screws (Packaged 4)
33	72865	2	Custom Washer for Discharge Valve Adapter
34	71373	1	Cleaning pan for Briquette Grid (Pulsar 3)

**Pulsar 3**

Diagram Number	Part Number	Qty	Description
35	71598	1	(8001) Scoops (Pulsar Accessory)
36	71622	1	Operators Manual for P3 System
37	72864	0	P3 Enhancement Kit
38	71900	1	Parker fitting W6ME4
39	71968	2	1/4" Threaded PVC Tee with Nipple
40	72862	1	Spray Nozzle (Lechler 632.364.5E.BC)
41	71572	1	(3045) Reducing Bushing (3/8"x1/4") For Feeder 30025 (PPI)&P3 Enhancement K
42	71582	2	(4014) Parker Fitting P6MC4
43	72861	1	Spray Nozzle (Lechler 632.564.5E.BC)
44	71563	1	(3002) PVC Elbow For Feeders 30025, 30991and P3 Enhancement Kit
45	71574	1	(3103) 3/8" P.E. Tubing E-64-0500 (13.5")

## Installation Kit

Diagram Number	Part Number	Qty	Description
0	71531	1	Installation Kit for Pulsar 3 System
1	71532	1	3/4 Horsepower Pump for Pulsar System Installation
2	71811	1	Venturi for Pulsar Systems
3	71907	2	Unions(Quick disconnects) Venturi (Slip X Thread)
4	71913	2	1 1/2" Slip PVC sch40 ball valves
5	71547	1	1 1/2" X 1/2" Schedule 80 PVC T SXF
6	71548	2	1 1/2" X 12" PVC Nipple
7	71917	1	3/4" FNPT X 1/2" FNPT PVC Reducer
8	71894	1	Solenoid (24 Volt) Pulsar Line
9	71525	1	Screw (Long) M3X55, Timer/Solenoid Assembly
10	71526	1	Screw (Short) M3X32 Solenoid Assembly Only
11	72329	1	15 ft Pre-Molded Cable (24V AC Transformer to Solenoid)
12	71658	1	Installation Manual for Pulsar 3 System
13	71590	2	(5023) 1/2" X 3/8" Male Connector (W6MC8)-Parker
14	71923	1	24V AC Transformer/Plug US
15	71689	0	Timer - 24V AC - Optional not included in P3 install kit